

VBE-3

Vapour Barrier Extender for 6" SlimLED
Recessed Lighting

Job Information		
Project Name		Type
Location		
Quantity		Date
Contact/Phone		
Notes		

Features

General Features

The body is constructed from a membrane with flat flange all around to better enclose 6" SlimLED fixtures. Can be inserted into insulated ceiling after drywall is installed. Material is UL listed to 90°C.

Required to be installed in order to comply with specific National Building Code of Canada (NBC) regulations.

Mounting

The vapour barrier is equipped with an adhesive mounting collar that adheres to the vapour barrier, preventing air leakage from your living space into the attic.

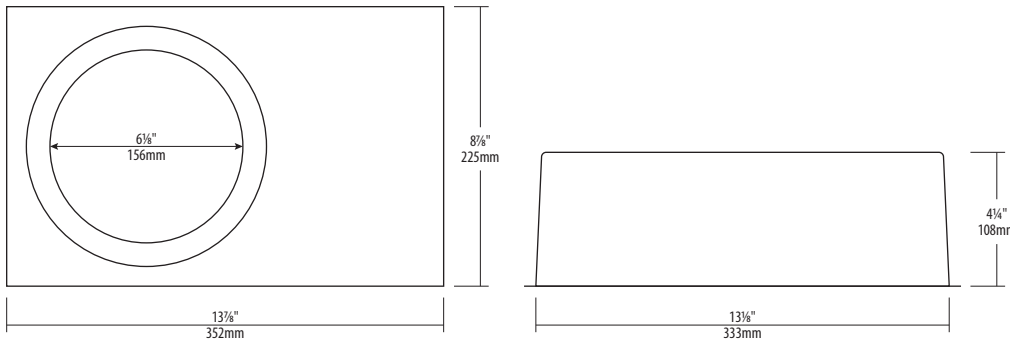


Description

The vapour barrier extender is for use with Liteline 6" SlimLED fixtures, to prevent air leakage from your living space into the attic. Suitable for insulated ceilings.



Notes: For additional options please consult your Liteline representative. Due to our continued efforts to improve our products, product specifications are subject to change without notice.



Ordering Guide



VBE-3

Vapour barrier extender for use with Liteline 6" SlimLED fixtures.

Compatible Fixtures



- SLM6
- SLM6F