

SLM4WS

SLIMLED[®]

4" Square LED Slim Profile Recess Retrofit, 9W,
Wet Location
Recess Lighting

Job Information		
Project Name		Type
Location		
Quantity		Date
Contact/Phone		
Notes		

Features

Body

Durable airtight aluminum body with UV stable paint and white PMMA diffuser lens for low glare. Includes silicone gasket for wet location applications.

LED Characteristics

This general application light fixture features a 9 watt LED module that maintains uniform intensity producing up to 640 lumens; with a typical CRI of 90. Available in 3000 K or 4000 K color temperature.

Dimming

100%-10% dimming capability. This fixture is compatible with industry standard TRIAC/ELV dimmers (contact factory for listing of compatible dimmers).

Beam Spread

The fixture lens provides 120° beam spread.

Mounting

Includes two spring loaded clips to attached to any ceiling material. The slim profile allows to be mounted under joists or duct work.

LED Driver

Extruded aluminum hardware box with 210mA dimmable class II electronic LED driver with 100-135V AC input. Includes an 18" plenum rated FT6 wire with DC 2.1 connector from driver to fixture.

Quick Connect push-in terminals

Three "Quick connect" push-in terminals for fast and easy wiring.

Operating Temperature

-20°C~40°C (-4°F~104°F)

Environment

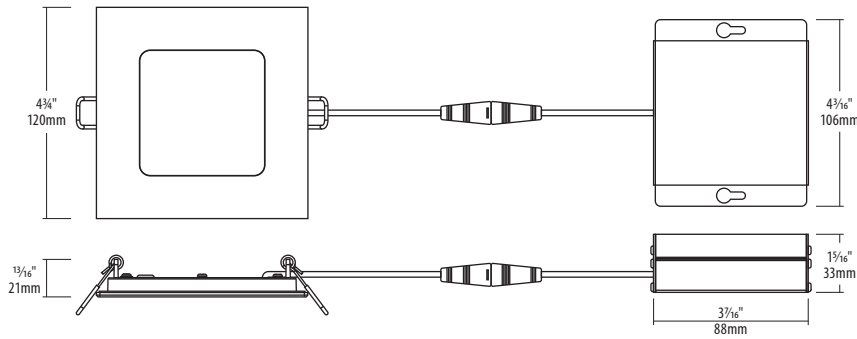
- Suitable for wet locations.
- Suitable for insulated ceiling applications.

SPECIFICATION	
Application	Ceiling Recess Mount
Approved Location	Wet / Insulated Ceilings
Beam Angle	120°
CCT	3000 K / 4000 K
Certification	cETLus
Class II	Yes
Color	BK / BN / WH
CRI	90
Dimming	Yes
Dimming Tech	TRIAC/ELV
Energy Star	Yes
Hole Cut	Ø 4 3/16" (106mm)
Input	100-135V AC, 60Hz, 0.09A
LM79	Yes
LM80	Yes
Lumens	Up to 620 / 640 (based on WH)
Lumens per Watt	Up to 68 / 71 (based on WH)
Power Factor	>0.9
Projected Life	70% @ 50,000 hrs
Warranty	Lifetime
Wattage	9W



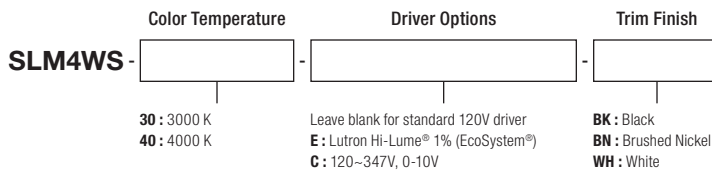
Description

The SLM4WS is a 9 watt 4" slim profile light fixture for recess retrofit application. It is a high-performance, easy to install downlight solution that offers good light output, energy-efficiency and streamlined design. Suitable for wet locations.



Notes: Accessories are sold separately. For additional options please consult your Liteline representative. Due to our continued efforts to improve our products, product specifications are subject to change without notice.

Ordering Guide



Accessories



SLM-60-FC

60" Flexible connector, for use with SlimLED fixtures.



P-4020

4 1/4" Round pre-mounting plate with driver attachment clip, for 4" SlimLED wet location fixtures.



P-NCMK-1

Hanger bar kit. Includes hanger bars, brackets and screws.



VBE-1

Vapour barrier extender. For use in new construction applications.



VBE-2

Vapour barrier extender. For use in remodel applications.



VBE-3

Vapour barrier extender. For use in remodel applications.



VBE-4

Vapour barrier extender. For use in remodel applications.