

RTM402-NT

4" Round Trimless Adapter Contour Mount Trim Recessed Lighting

Job Information		
Project Name		Type
Location		
Quantity		Date
Contact/Phone		
Notes		

Features

Trim Design

Constructed of precision spun 0.040" aluminum to reduce aperture glare. The lamp holder is adjustable up to 30°.

Mounting

The reflector is supplied with a plaster frame that will help creating a seamless cut hole to provide a rigid and secure mounting. Two pressure clips attached to the top edge of the reflector provides for a pressure fit to the housing wall.

Lamping

Rear load lamping, the trim is compatible with the following lamps:

- GU5.3 base MR16, 50W max, 12V.
- Medium base MR16, 50W max, 120V.
- GU10 base MR16, 50W max, 120V.

Compatible Housings

Designed for use with the following 4" recessed housings:

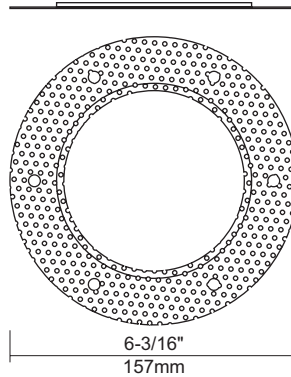
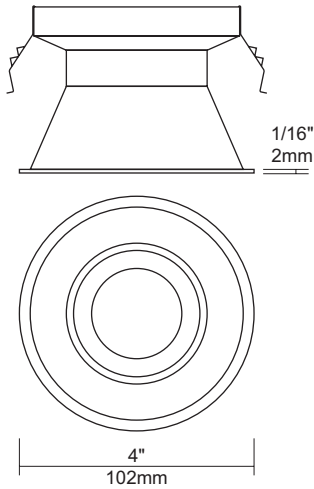
- RF401
- RF401L
- RF405
- RF405L



Description

The RTM402-NT is a round contour mount trim that features a purely minimalist trimless design. Providing a seamless profile, it essentially becomes part of the architecture of the space.

Notes: Accessories should be ordered separately. For additional options please consult your Liteline representative. Due to our continued efforts to improve our products, product specifications are subject to change without notice.



Ordering Guide



RTM402-NT-BK

4" Black round trimless adapter contour mount trim.



RTM402-NT-CH

4" Chrome round trimless adapter contour mount trim.



RTM402-NT-FWH

4" Flat White round trimless adapter contour mount trim.



RTM402-NT-WH

4" White round trimless adapter contour mount trim.