



RTM3505P

3 1/2" Round Open Trim, PAR20
Recessed Lighting

Job Information		
Project Name		Type
Location		
Quantity		Date
Contact/Phone		
Notes		

Features

General

Constructed from aluminum, the RTM3505P is a 3 1/2" open trim, suitable for damp location.

Mounting

Two stainless steel torsion clips provide enhanced rigidity within the housing.

Lamping

- PAR20 lamp, 50W max.
- PAR20 LED lamp

Housing Compatibility

The RTM3505P is designed to work with 3 1/2" recessed housing

- RF351CAT
- RF351GU24ICAT
- RF352CICAT
- RF352CGU24ICAT

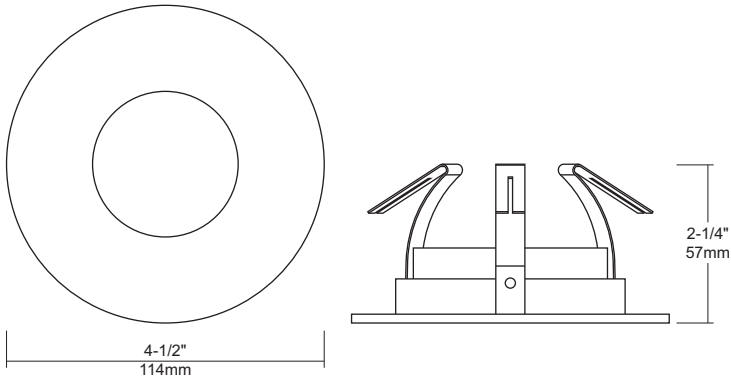
SPECIFICATION	
Aperture	3 1/2"
Application	Recessed
Approved Location	Damp
Lamp Loading	Rear Loading
Lamp Type	PAR20
Material	Aluminum
Maximum Wattage	50W
Trim Style	Open



Description

The RTM3505P is a 3 1/2" open trim, suitable for damp locations. For use with PAR20 lamps.

Notes: For additional options please consult your Liteline representative. Due to our continued efforts to improve our products, product specifications are subject to change without notice.



Ordering Guide

Trim Finish

RTM3505P -

- ABK : Anodized Black
- AL : Brushed Aluminum
- BN : Brushed Nickel
- FWH : Flat White
- ORB : Oil Rubbed Bronze
- WH : White

Example: RTM3505P-WH



Liteline Corporation
Info@liteline.com
www.liteline.com

8 Abacus Road, Brampton
Ontario, Canada L6T 5B7



416-996-1856
1-866-730-7704



905-794-1990
1-888-738-9736