

RF401A

4" Line Voltage New Construction Housing with Adjustable Socket Recessed Lighting

Job Information		
Project Name		Type
Location		
Quantity		Date
Contact/Phone		
Notes		

Features

New Construction Housing

Constructed of 22ga galvanized steel for optimum rigidity. The frame includes a 1/2" (13mm) deep collar to assist with drywall installations and standard ceilings.

Junction Box

Listed for through branch circuit wiring. Maximum eight no. 12 AWG 90°C branch circuit conductors (four in and four out). Five 1/2" knockouts with true pry-out slots and four knockouts with Romex® cable clamp. Ground wire is provided on J-Box. Three "quick connects" for fast and easy wiring.

Mounting Frame

Constructed of galvanized steel with an adjustable trim collar to accommodate ceilings up to 1-1/4" (32mm) thick.

Hanger Bars - 4 Sides

With a maximum extension of 25", these hanger bars can be installed on both long and short side of the housing frame and allow excess distance between joists. Housing can be positioned at any

point along the joist span and secured in place with oversized locking screw. Score lines on the hanger bars allows for toolless shortening for 12" joists. Integral T-bar clips easily snap onto T-bars.

Thermal Protection

Self resetting thermal protector deactivates fixture if overheating occurs due to improper lamping or misapplied insulation.

Socket

Ceramic socket for MR16 E26, PAR16 or PAR20 lamps. The socket is mounted on an adjustable bracket that allows for control of lamp distance from trim.

Lamps

- MR16 E26, 50W max.
- LED PAR16
- PAR20, 50W max.
- LED PAR20

Listing

- cETLus listed for damp locations.
- cETLus listed for feed through.

HOUSING SPECIFICATIONS	
Aperture	4"
Application	Recessed
Approved Location	Damp
Base	E26
Certification	cETLus
Cuthole	4-3/8"
Housing Type	New Construction
Lamp Type	Medium Base
Max. Watt	50W
Primary Voltage	120V
Warranty	1 Year

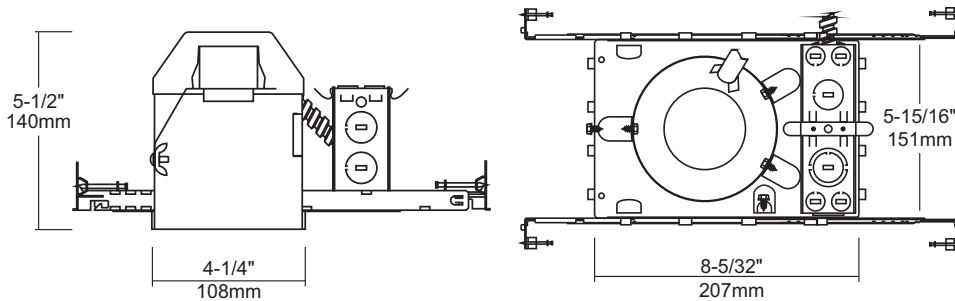


Description

The RF401A is a 4" aperture line voltage housing with an adjustable socket for use in new construction application to provide accent and task lighting. The RF401A offers a wide choice of trim types including reflector, wall wash and retractable trims.



Notes: Accessories should be ordered separately. For additional options please consult your Liteline representative. Romex is a registered trademark of Southwire Company. Due to our continued efforts to improve our products, product specifications are subject to change without notice.



Ordering Guide



RF401A

4" line voltage new construction housing with an adjustable socket.

