

RA4-12G LUNA™ LED

4" LUNA™ LED Round Gimbal Recessed Fixture Recess Lighting

Job Information		
Project Name		Type
Location		
Quantity		Date
Contact/Phone		
Notes		

Features

Body

Durable airtight aluminum body with adjustable gimbal. Includes anodized blue heat sink to provide maximum airflow for the LED light source.

LED Characteristics

This general application light fixture features a 12 watt LED module that maintains uniform intensity producing up to 1060 lumens; with a typical CRI of 90. Available in 2700 K, 3000 K, 3500 K, 4000 K or 5000 K color temperature.

Dimming

100%-10% dimming capability. This fixture is compatible with industry standard TRIAC/ELV dimmers. For compatible dimmers, visit www.liteline.com/lunadimmers

Beam Spread

The fixture lens provides 40° beam spread.

Mounting

Includes two spring loaded clips to attached to any ceiling material.

LED Driver

Extruded aluminum hardwire box with 300mA dimmable class II electronic LED driver with 100-135V AC input. Includes an 18" FT6 rated cable with DC 2.1 connector between driver and fixture approved for use in plenums and suspended ceilings.

Quick Connect push-in terminals

Three "Quick connect" push-in terminals for fast and easy wiring.

Operating Temperature

-20°C~40°C (-4°F~104°F)

Environment

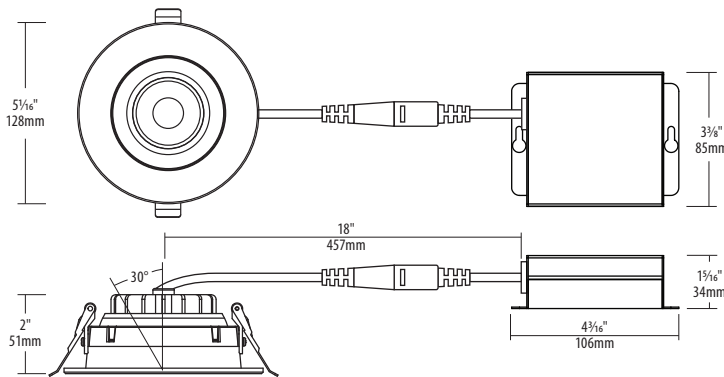
- Suitable for wet locations.
- Approved for direct contact with insulation.

SPECIFICATION	
Application	Ceiling Recess Mount
Approved Location	Wet / Insulated Ceilings
Beam Angle	40°
CCT	2700 K / 3000 K / 3500 K / 4000 K / 5000 K
Certification	cETLus
Class II	Yes
Color	BK / BN / SL / WH
CRI	90
Dimming	Yes
Dimming Tech	TRIAC/ELV
Energy Star	Yes
Hole Cut	Ø 4 3/8" (106mm)
Input	100-135V AC, 60Hz
LM79	Yes
LM80	Yes
Lumens	1010 / 1015 / 1030 / 1050 / 1060
Lumens per Watt	83 / 83 / 84 / 85 / 87
Power Factor	0.95
Projected Life	70% @ 50,000 hrs
Warranty	Lifetime
Wattage	12W



Description

The RA4-12G is a 12 watt 4" round gimbal recessed light fixture for retrofit application. It is a high-performance, easy to install downlight solution that offers good light output, energy-efficiency and streamlined design. Suitable for wet locations.



Notes: Accessories are sold separately. For additional options please consult your Liteline representative.
Due to our continued efforts to improve our products, product specifications are subject to change without notice.

Ordering Guide

Color Temperature	Driver Options	Trim Finish
RA4-12G - [] - 90 - []		
27K : 2700 K* 30K : 3000 K 35K : 3500 K 40K : 4000 K 50K : 5000 K	Leave blank for standard 120V driver E : Lutron Hi-Lume® 1% (EcoSystem®) EM : Emergency Backup, 120~277V, 0-10V C : 120~347V, 0-10V	BK : Black BN : Brushed Nickel SL : Silver WH : White

Accessories



SLM-60-FC

60" Flexible connector, for use with SlimLED fixtures.



P-4020

4 1/4" Round pre-mounting plate with driver attachment clip, for 4" LUNA LED fixtures.



P-NCMK-1

New construction mounting kit. Includes hanger bars, brackets and screws.



VBE-1

Vapour barrier extender. For use in new construction applications.



VBE-2

Vapour barrier extender. For use in remodel applications.



VBE-3

Vapour barrier extender. For use in remodel applications.



VBE-4

Vapour barrier extender. For use in remodel applications.