

# RA35-12F

# LUNA™ LED

## 3.5" LUNA™ LED Round Fixed Recessed Fixture Recess Lighting

Job Information		
Project Name		Type
Location		
Quantity		Date
Contact/Phone		
Notes		

### Features

#### Body

Durable airtight fixed aluminum body. Includes anodized blue heat sink to provide maximum airflow for the LED light source.

#### LED Characteristics

This general application light fixture features a 12 watt LED module that maintains uniform intensity producing up to 885 lumens; with a typical CRI of 90. Available in 2700 K, 3000 K, 3500 K, 4000 K or 5000 K color temperature.

#### Dimming

100%-10% dimming capability. This fixture is compatible with industry standard TRIAC/ELV dimmers. For compatible dimmers, visit [www.liteline.com/lunadimmers](http://www.liteline.com/lunadimmers)

#### Beam Spread

The fixture lens provides 40° beam spread.

#### Mounting

Includes two spring loaded clips to attached to any ceiling material.

#### LED Driver

Extruded aluminum hardwire box with 300mA dimmable class II electronic LED driver with 100-135V AC input. Includes an 18" FT6 rated cable with DC 2.1 connector between driver and fixture approved for use in plenums and suspended ceilings.

#### Quick Connect push-in terminals

Three "Quick connect" push-in terminals for fast and easy wiring.

#### Operating Temperature

-20°C~40°C (-4°F~104°F)

#### Environment

- Suitable for wet locations.
- Approved for direct contact with insulation.

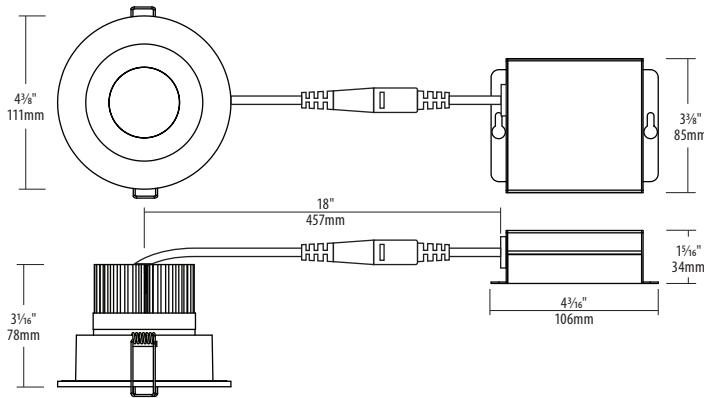
### SPECIFICATION

Application	Ceiling Recess Mount
Approved Location	Wet / Insulated Ceilings
Beam Angle	40°
CCT	2700 K / 3000 K / 3500 K / 4000 K / 5000 K
Certification	cETLus
Class II	Yes
Color	BK / BN / SL / WH
CRI	90
Dimming	Yes
Dimming Tech	TRIAC/ELV
Energy Star	Yes
Hole Cut	Ø 3 3/8" (92mm)
Input	100-135V AC, 60Hz
LM79	Yes
LM80	Yes
Lumens	800 / 830 / 850 / 865 / 885
Lumens per Watt	69 / 71 / 72 / 73 / 75
Power Factor	>0.90
Projected Life	70% @ 50,000 hrs
Warranty	Lifetime
Wattage	12W



### Description

The RA35-12F is a 12 watt 3.5" round fixed recessed light fixture for retrofit application. It is a high-performance, easy to install downlight solution that offers good light output, energy-efficiency and streamlined design. Suitable for wet locations.



**Notes:** Accessories are sold separately. For additional options please consult your Liteline representative. Due to our continued efforts to improve our products, product specifications are subject to change without notice.

### Ordering Guide

Color Temperature	Driver Options	Trim Finish
RA35-12F - [ ] - 90 - [ ]		
<b>27K</b> : 2700 K <b>30K</b> : 3000 K <b>35K</b> : 3500 K <b>40K</b> : 4000 K <b>50K</b> : 5000 K	Leave blank for standard 120V driver <b>E</b> : Lutron Hi-Lume® 1% (EcoSystem®) <b>EM</b> : Emergency Backup, 120~277V, 0-10V <b>C</b> : 120~347V, 0-10V	<b>BK</b> : Black <b>BN</b> : Brushed Nickel <b>SL</b> : Silver <b>WH</b> : White

## Accessories

---



### SLM-60-FC

60" Flexible connector, for use with SlimLED fixtures.



### P-3520

3 5/8" Round pre-mounting plate with driver attachment clip, for 3 1/2" LUNA LED fixtures.



### P-NCMK-1

New construction mounting kit. Includes hanger bars, brackets and screws.



### VBE-1

Vapour barrier extender. For use in new construction applications.



### VBE-2

Vapour barrier extender. For use in remodel applications.



### VBE-3

Vapour barrier extender. For use in remodel applications.



### VBE-4

Vapour barrier extender. For use in remodel applications.