

# OSL-EYE1

Single Gang Vertical Eyelid Faceplate  
Recessed Lighting

Job Information		
Project Name		Type
Location		
Quantity		Date
Contact/Phone		
Notes		

## Features

### Body Construction

Powder-coated or electroplated cast aluminum with vertical eyelid center. Available in black, brushed nickel or flat white corrosion resistant paint.

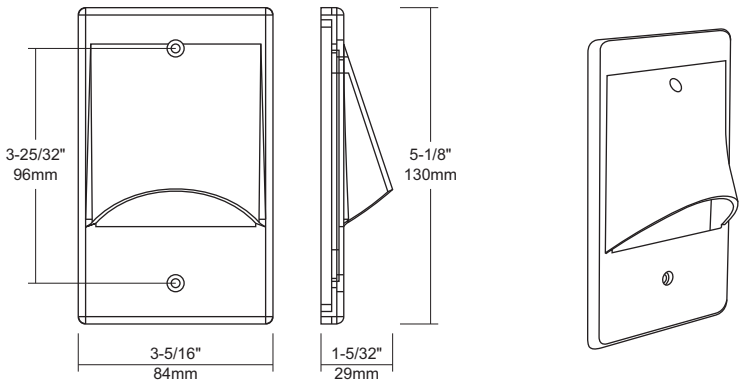
### Mounting

Mounts onto single gang outdoor LED step light (OSL1020 – sold separately) with two colour matching screws (included).



## Description

This vertical eyelid faceplate is used in conjunction with single gang outdoor LED step light. It casts a subtle low level floor/path lighting and creates a wash of light to steps, walls, paths or patios.



**Notes:** Accessories should be ordered separately. For additional options please consult your Liteline representative. Due to our continued efforts to improve our products, product specifications are subject to change without notice.

## Ordering Guide



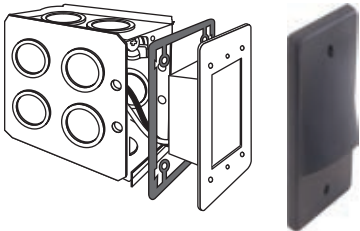
**OSL-EYE1-BK**  
Black vertical eyelid faceplate for single gang outdoor LED step light.



**OSL-EYE1-BN**  
Brushed nickel vertical eyelid faceplate for single gang outdoor LED step light.



**OSL-EYE1-FWH**  
Flat white vertical eyelid faceplate for single gang outdoor LED step light.



(LED fixture sold separately)

