



INC110

LERNA Line Voltage Track Fixture
Track Systems

Job Information		
Project Name		Type
Location		
Quantity		Date
Contact/Phone		
Notes		

Features

Body

Constructed of die cast aluminum which provides superior strength and rigidity. Softened edges adds up to the low profile aesthetic design.

Compatibility

Liteline track fixtures are compatible with Juno®, Halo®, Lightolier® and most brands configured to Halo® track system design.

Lamping

Medium base porcelain socket for 120V AC PAR20 or R20 lamps, 50 watts max.

Labels

• cULus listed.

Adjustability

Lamp housing is controlled with an adjustable yoke that would provide custom aiming; 330° horizontal rotation and 90° vertical rotation.

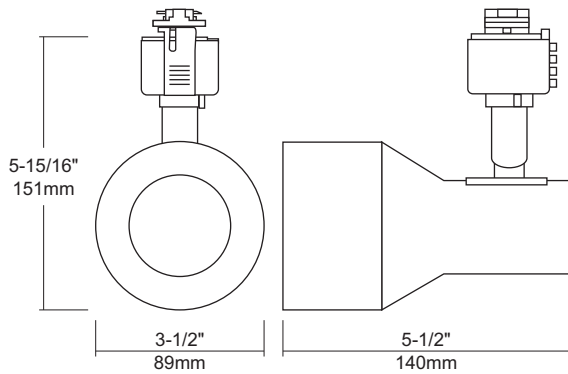
Dimming

The track fixture is dimmable when used with electronic line voltage rated dimming controls only. 120V / 60Hz input; 120V output; 50W maximum load.



Description

The LERNA is a front loading gimbal track fixture. It provides directional light source for special aiming and assures secure lock on angle position. The single stem conceals wiring and provides full adjustment of light source for special aiming.



Connector Compatibility Chart



Notes: Accessories should be ordered separately. For additional options please consult your Liteline representative. Juno is a registered trademark of Juno Lighting Group. Halo is a registered trademark of Cooper Lighting. Lightolier is a registered trademark of Philips. Due to our continued efforts to improve our products, product specifications are subject to change without notice.

Ordering Guide



INC110-BK
LERNA black track fixture, 120V.



INC110-WH
LERNA white track fixture, 120V.

