

HV4-TH4018

4" Tilting Gimbal Trim
For PAR20 Lamps

Job Information		
Project Name		Type
Location		
Quantity		Date
Contact/Phone		
Notes		

Features

Trim

Constructed of powder-coated steel with a super low profile. Finished with various colours to meet any design requirement. Lamp is rear loaded.

Aiming Adjustment

The trim includes a tilting center (lamp holder) that adjusts up to 35° and maintains the set angle, providing a wide range of accent and task applications.

Mounting

Two stainless steel torsion clips provide enhanced rigidity within the housing.

Lamps

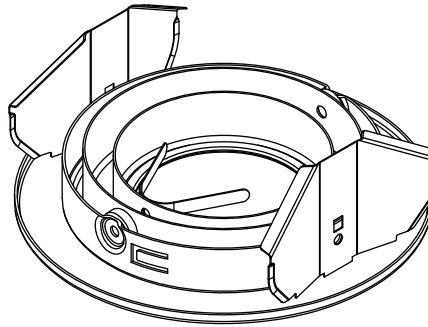
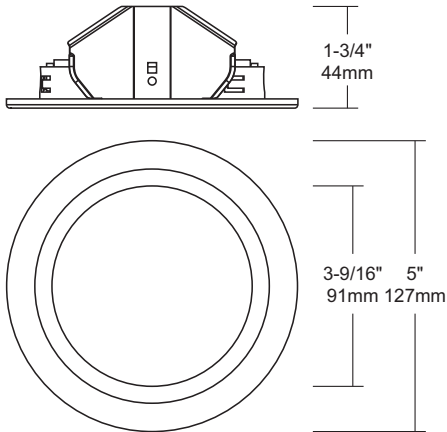
- 120V PAR20, 50W max.



Description

The HV4-TH4018R is a powder-coated steel round gimbal trim. Simply designed to allow a clean look while still being functionally adjustable. The adjustable aiming capability (35° from vertical) provides versatility for a wide range of accent and task applications.

Notes: For additional options please consult your Liteline representative. Due to our continued efforts to improve our products, product specifications are subject to change without notice.



Ordering Guide



HV4-TH4018-AB
4" Antique Brass tilting gimbal trim.



HV4-TH4018-WH
4" White tilting gimbal trim.



HV4-TH4018-BB
4" Brushed Brass tilting gimbal trim.



HV4-TH4018-BK
4" Black tilting gimbal trim.



HV4-TH4018-BN
4" Brushed Nickel tilting gimbal trim.



HV4-TH4018-FWH
4" Matte White tilting gimbal trim.



HV4-TH4018-TP
4" Taupe tilting gimbal trim.